

Topcon XC1 Console

Economical 7" Touchscreen Display



Compatible with many agricultural machines, the Topcon XC1 console provides a reliable interface in an economical yet durable form. This steering display features a 7" color touchscreen, high durability design for open-cab environments, and easy-to-use Topcon software with an optional ISOBUS UT unlock. Integrated with Topcon Value Line Steering solutions, the XC1 is ready for the variable needs of commercial agriculture.

» Clear 7" color touchscreen

» Proven, easy-to-use software with optional ISOBUS UT

» High durability (IP66)

Display

| | |
|----------------|--|
| Type | TFT Color Graphic LCD with LED backlight |
| Size | 7" (152.4mm (W) x 91.44mm (H)) |
| Resolution | 800 x 480px (WQVGA), 15:9 |
| Colors | 16.7 Mio. |
| Brightness | typ. 800cd/m2 |
| Contrast Ratio | typ. 700:1 |

Input Devices

| | |
|------------------------|----------------------------------|
| Touch | Capacitive Touch |
| Indicators and Sensors | Light sensor 1 Multicolor LED |

Electronics

| | |
|-------------------|--|
| CPU | Freescale I.MX6®, Dual, 800MHz |
| Mass storage | 4GByte (minus space for OS & application) |
| RAM | 1GByte |
| RTC | Buffered by gold cap Buffered for 2 weeks at Tambien Deviation max. 1s/day |
| Speaker | Up to 90dB @ 10cm distance (max. @ ~8kHz) |
| Audio | 1 x Audio output (left, right, GND) AC97 compatible Output power: approx. 50mW |
| Silent Wake-Input | Input which can be used for Silent-Wake-On of the OPUS to reduce visible boot-time Active on positive edge |
| Power supply | System supplied through terminal 30 (battery +, see pinout) and 31 (battery -, see pinout). Terminal 15 (ignition) to be used to switch on/off. Operating voltage range: 8 - 36V DC. Short circuit protection. Over-voltage protection up to 48V for max. 5min. Inverse polarity protection up to -48V DC for max. 5min. |

Topcon XC1 Console

Economical 7" Touchscreen Display

Interfaces

| | |
|--------------------|--|
| CAN Bus | 2 x CAN-Interface according to ISO 11898, CAN-specification 2.0 B active, up to 1Mbit/s (default 250Kbit/s, possible 10 Kbit/s, 20Kbit/s, 50Kbit/s, 83.3Kbit/s, 111.1Kbit/s, 250Kbit/s, 500Kbit/s, 800Kbit/s, 1Mbit/s) |
| RS232 | 1 x RS232-Interface Type: EIA232 (only RXD, TXD, GND) Speed: max. 115.200Kbps |
| USB | Host 2.0 Side connector: 1 x Type A High speed Guaranteed 900mA @ 5V Back connector: 1 x Type A High speed Guaranteed 900mA @ 5V |
| Wireless-Interface | Via additional USB connected WiFi device |
| Ethernet-Interface | 1 x Automotive Ethernet Interface |

Connectors

| | |
|--------------------|--|
| Main | Typo-AMP 1437288-6 Mating connector (customer) Typo-AMP 3-1437290-7 Mating crimp contact (customer) Typo-AMP 3-1447221-4 |
| Ethernet-Connector | M12 round connector, female, 4-pole, D-coded acc. to EN 61076-2-101 |

Software

| | |
|-------------------------|--------------------------------|
| Operating System | Linux Kernel 5.43.53 or higher |
| Application Programming | Horizon Lite |

Testing and Verification

| | |
|---------------|--|
| CE-Compliance | EU Directive 2014/30/EU (EMC) according to <ul style="list-style-type: none">- EN 13766-1: Earth-moving and building construction machinery - Electromagnetic compatibility (EMC) of machines with internal electrical power supply - Part 1: General EMC requirements under typical electromagnetic environmental conditions- EN ISO 14982: Agricultural and forestry machinery - Electromagnetic compatibility - Test methods and acceptance criteria- EN 50498: Electromagnetic compatibility (EMC). Product family standard for aftermarket electronic equipment in vehicles.- EN 61000-6-2: Electromagnetic compatibility (EMC). Generic standards - Immunity for industrial environment- EN 61000-6-4: Electromagnetic compatibility (EMC). Generic standards - Emission standard for industrial environment. |
|---------------|--|

Topcon XC1 Console

Economical 7" Touchscreen Display

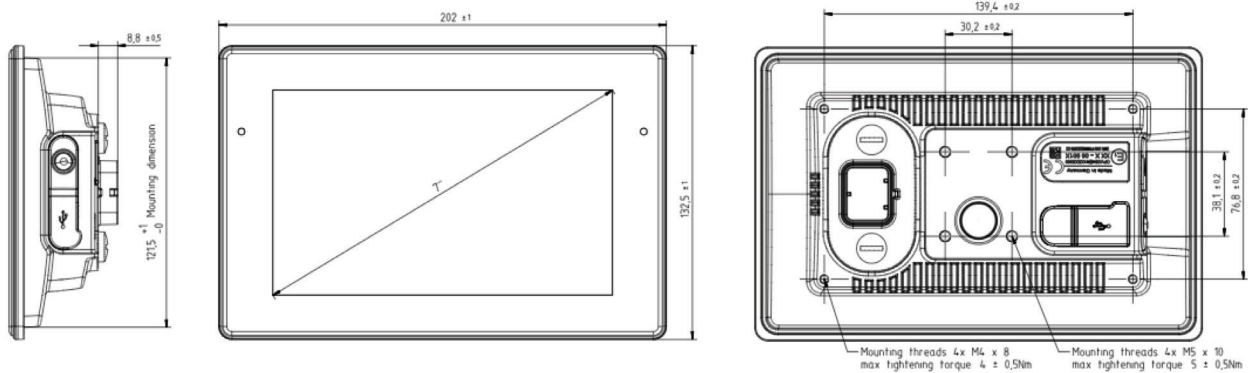
Testing and Verification

| | |
|-----------------------------|--------------------------|
| Inverse Polarity resistance | 5 min @ -48V (no defect) |
| Over voltage resistance | 5 min @ +48V (no defect) |

Environmental

| | |
|----------------------------|--|
| E1 - Type approval | 0.05m/sec |
| Protection Level (IP Code) | IP 66 according to ISO 20653: Road Vehicles - Degrees of protection (IP-Code) - Protection of electrical equipment against foreign objects, water and access |

Dimensions



Note: dimensions are in millimeters (mm)